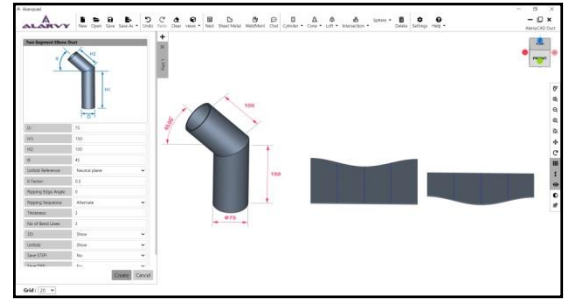


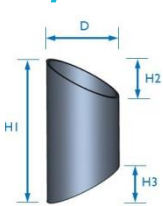
About

AlarvyCAD DUCT is a stand-alone CAD application to create 3D Models and Unfold of complex custom duct types quickly with editable parameters for each type of duct. AlarvyCAD Duct module comprises of multiple features specifically to create 3D models and Unfold of various genre of Ducts.

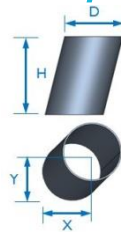


Duct types

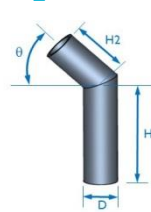
Cylinder



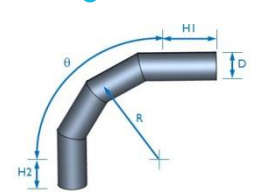
Offset Cylinder



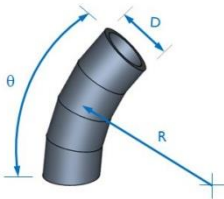
Two segment Elbow



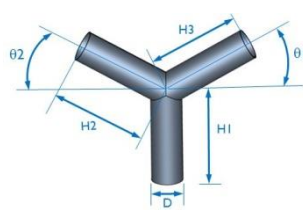
Multisegment Elbow



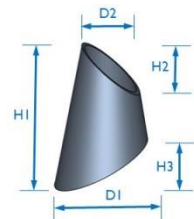
Equi-spaced Multisegment elbow



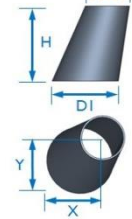
Cylindrical Y section



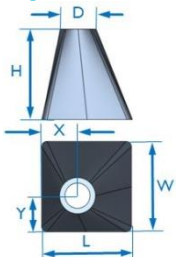
Cone



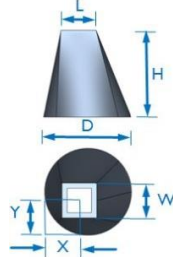
Offset cone



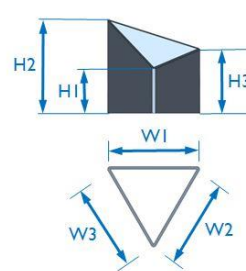
Rectangle Circle Loft



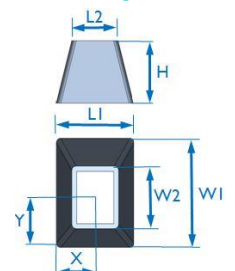
Circle Rectangle Loft



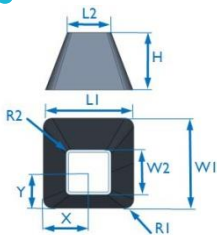
Triangular Loft



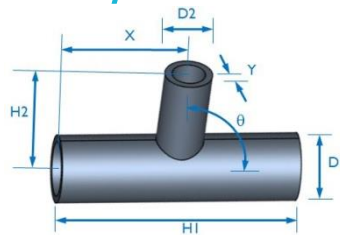
Rectangular Loft



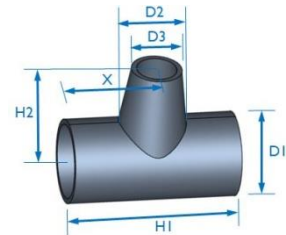
Rectangular with Arcs Loft



Cylinder Cylinder Intersection



Cylinder Cone Intersection



Alarvy Technologies Private Limited

Reg. Office : 179/B4, Vista Avenues, II Main Road,
Bhuvanewari Nagar, Velachery, Chennai — 600042.

Email: support@alarvy.com

www.alarvy.com

Download Evaluation Version:

<http://www.alarvy.com/download.html?moduleName=ductModule>

Tutorial Videos:

<http://www.alarvy.com/help.html?moduleName=ductModule&docType=video>

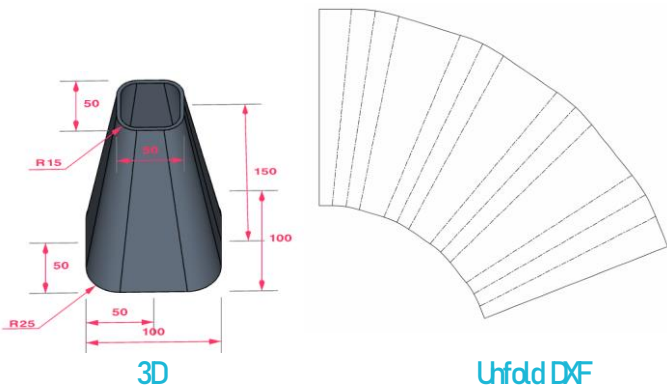
Help Documentation:

<http://www.alarvy.com/help.html?moduleName=ductModule&docType=doc>

ALARVY YOUTUBE CHANNEL:

<https://www.youtube.com/channel/UC-bG4AHtc56fQayTew8mpWA>

Unfold profiles of the duct can be saved in DXF format along with the bend lines



- 3D model of the duct can be saved in STEP format
- Both 3D models and Unfold generated can be saved in STL(ASCII), STL(Binary), OBJ, GLTF, GLB files
- 3D model export with dimensions in GLTF Format
- Multilingual support is available for 7 languages (English, German, Spanish, Italian, French, Japanese and Chinese).



About Alarvy

ALARVY Technologies is a Software and Engineering company specializing in products and services for

- Machine Tool Companies
- CAD/CAM ISVs
- Engineering Software Companies

We offer our products to OEM customers and customize them to suit their specific needs. At ALARVY, we believe in excellence in technology and simplistic products. We try to bring out innovative technologies to build user-friendly software.

Contact us at:

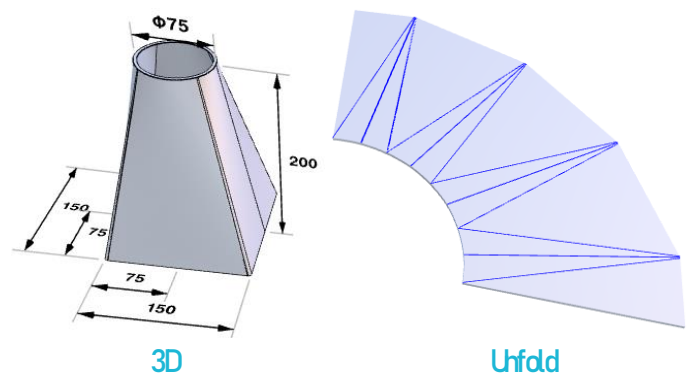
Alarvy Technologies Private Limited

Development Centre : Module No. C12, Agaram,
Unit No. 27 & 28, Phase-I, SDF-I, MEPZ-SEZ, Tambaram,
Chennai -600045, Tamil Nadu, India.

Telephone No: 044 - 4957 7777, +91-8754424112, +91-8754422554;

- Parametric technology
- 3D Automatic dimensioning
- User friendly Parameter UI for creating duct models in a single click
- Unique feature based file format in *.json format which can be bundled with sheet metal cutting machines, CNC turret punches, Laser, Plasma and water jet cutting machines.
- Low cost and high performance application

GLTF File opened in windows 3D viewer



Services

Our services include

- Startup software development
- CAD Customization
- Development of CAD product Using 2D/3D Kernels
- Web app development
- Research and development
- Engineering Services
- 3D Printing

Our business models are highly flexible to suit your needs. For startups, we have multiple experts with different skill sets available on hourly basis



www.alarvy.com