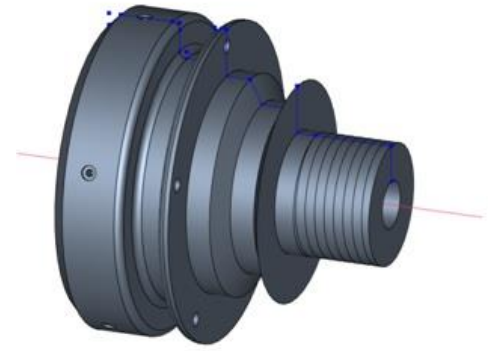


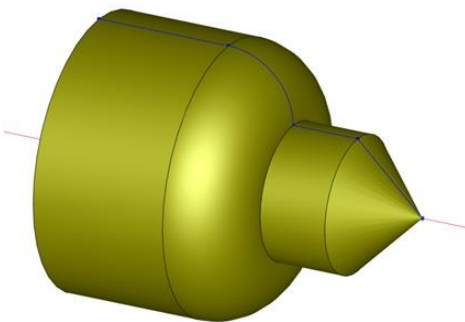
About

AlarvyCAD TURN Modeler for Turned Parts is a specific 3D CAD modeler with features specific to create turned parts that can be manufactured in lathes and turning centres.

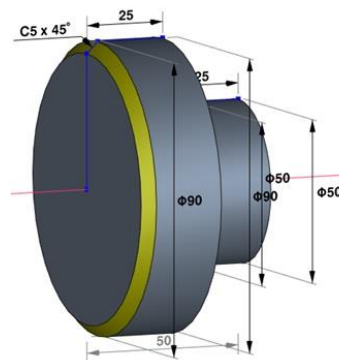
Features



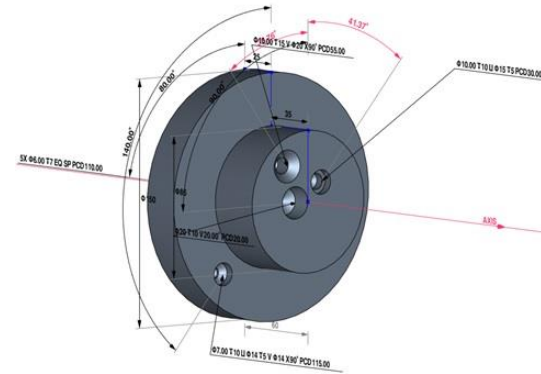
Revolve



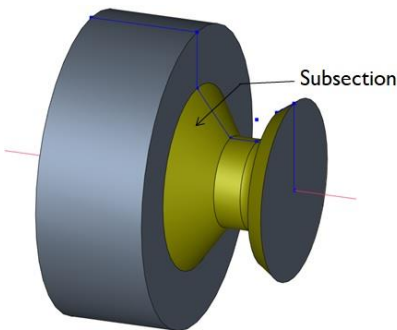
Chamfer



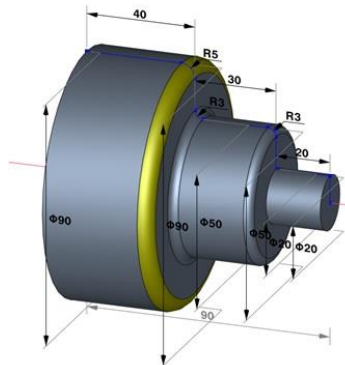
Hole Features



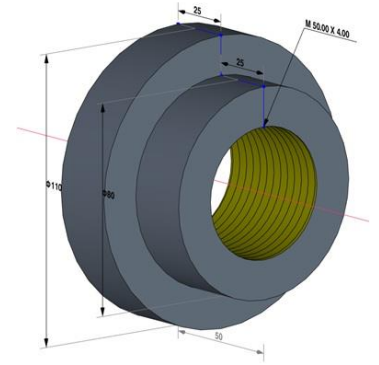
Subsection



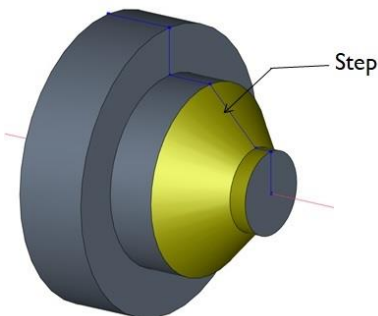
Fillet



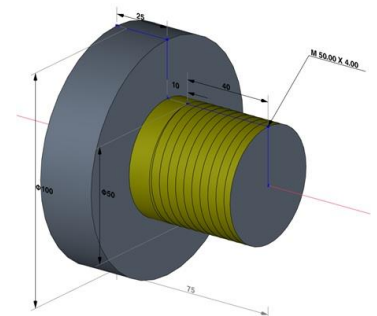
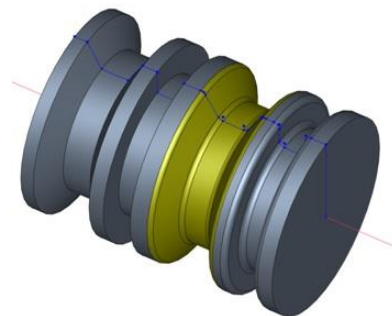
Thread – Internal and External



Step



Groove



Alarvy Technologies Private Limited

Reg. Office : 179/B4, Vista Avenues, II Main Road,
Bhuvanewari Nagar, Velachery, Chennai – 600042.

Email: support@alarvy.com

www.alarvy.com

Download Evaluation Version:

<http://www.alarvy.com/download.html?moduleName=turnModule>

Tutorial Videos:

<http://www.alarvy.com/help.html?moduleName=turnModule&docType=video>

Help Documentation:

<http://www.alarvy.com/help.html?moduleName=turnModule&docType=doc>

ALARVY YOUTUBE CHANNEL:

<https://www.youtube.com/channel/UC-bG4AHtc56fQayTew8mpWA>

